



B3 Plus



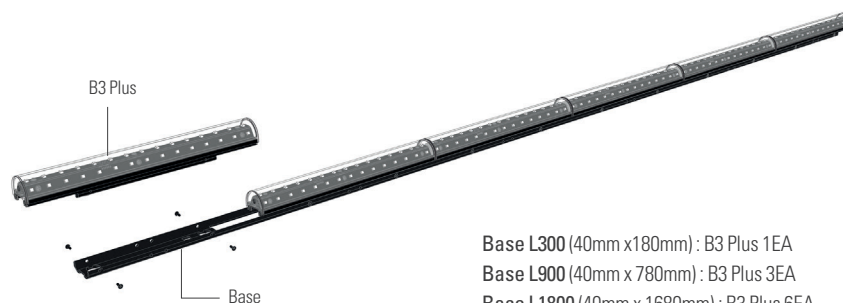
- Enhanced visibility from multiple directions
- Adjustable pixel mode from 3 pixels to 9 pixels per one LED fixture
- Easy to extend the size from 300mm up to 1,800mm by single daisy chain connection

PRODUCT SPECIFICATIONS

Material	Aluminum Body, PC-Cover(Clear)	
Size (W×D×H)	300mm x 40mm x 40mm	
Weight	380g (0.83 lbs) ± 5%	
Power Consumption	Max. 12W (456mA/20Node, 19mA/LED)	1 Bar
LED Source	3 in1 Full Color SMD LED x 45	
Pixel Pitch	20mm	
Brightness	320lm, 83 cd	
Beam Angle	170° x 110°	
Color Process	3 x 16 bit	
Control	DMX512	
Operating Voltage	24V / 7W	
Addressing	Auto/Manual Addressing Setting	20 Bar
Protection	Indoor	
Operating Temperature	0°C ~ 50°C (32°F ~ 122°F)	
Storage Temperature	-30°C ~ 80°C (-22°F ~ 176°F)	

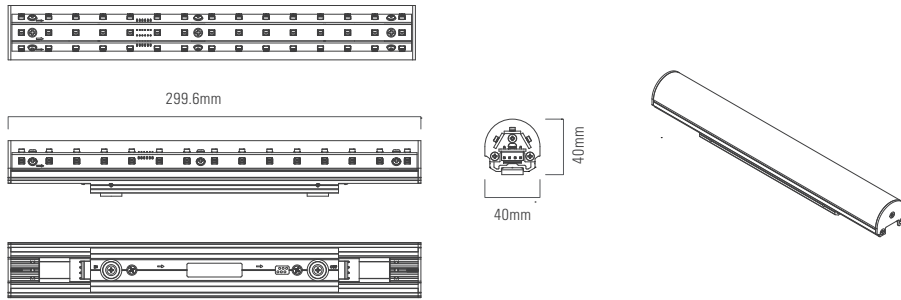
SYSTEM SPECIFICATIONS

Main Input Cable	Max. 20M (AWG 16 x 4C)
Maximum Connection	Max. 20 Bar



Base L300 (40mm x 180mm) : B3 Plus 1EA
 Base L900 (40mm x 780mm) : B3 Plus 3EA
 Base L1800 (40mm x 1680mm) : B3 Plus 6EA

TECHNICAL DRAWING



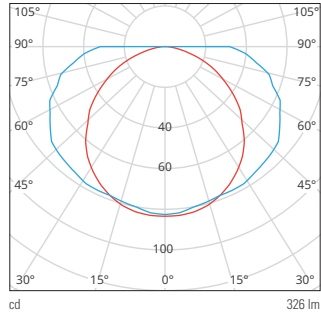
PHOTOMETRICS

GB-12BFI-1
(B3 Plus_RGB_Clear Flat_170Dx110D_12W)

Color	White	Red	Green	Blue
Lumens	326	91	218	32

Polar LDC

Measured on white



cd
— C0-C180 — C90-C270

Illuminance at distance

Measured on white (RGB)

Distance [m]	Cone Diameter [m]	Illuminance [lx]	E(0°)	E(C90)	E(C0)
2.0	36 5.6	21	83.7°	0.01	54.5°
4.0	72 11	5.2	83.7°	0.00	54.5°
6.0	109 17	2.3	83.7°	0.00	54.5°
8.0	145 22	1.3	83.7°	0.00	54.5°
10	181 28	0.83	83.7°	0.00	54.5°

Distance [m] Cone Diameter [m] Illuminance [lx]
— C0-C180 (Beam Angle: 109°) — C90-C270 (Beam Angle: 167.4°)

SYSTEM BLOCK DIAGRAM

