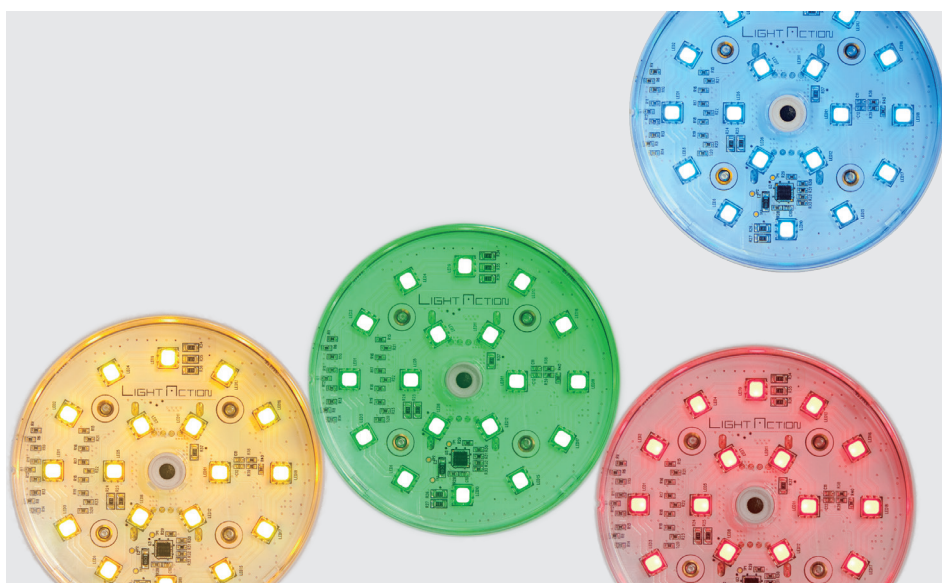




# D18



- Various customization options including number of LEDs
- Video control for not only simple color display by DMX & video controller but also complex movement of light and picture display



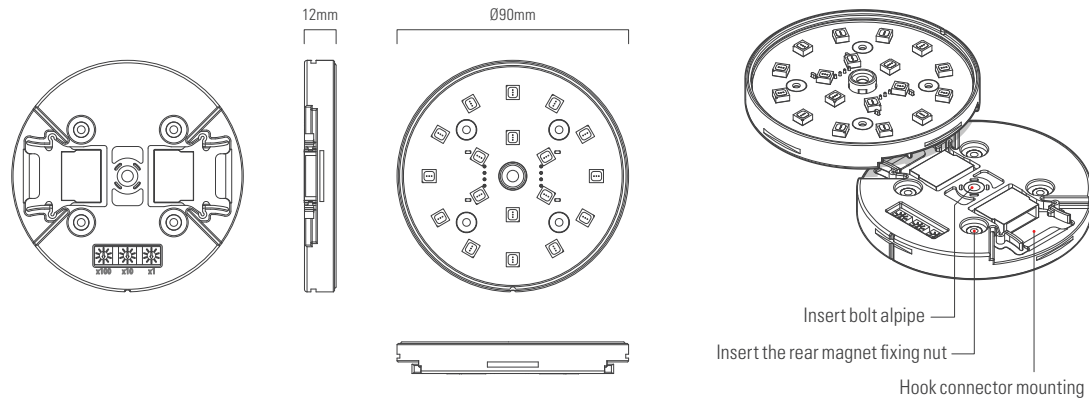
## PRODUCT SPECIFICATIONS

Material	Plastic body & clear PC cover	
Size (D×H)	Ø90mm x 12mm	
Weight	68g (0.14 lbs) ± 5%	
Power Consumption	Max. 4.56W	
LED Source	3 in1 Full Color SMD LED x 18	
Pixel Pitch	100mm ~ 2,000mm	
Brightness	40cd/node, 112 lm/node	
Beam Angle	110°	
Color Process	3 × 16 bit (Gamma correction)	
Control	DMX512, Video control	
Operating Voltage	24V DC	from DC-DC module
Main Power Source	24V DC	from SMPS
Addressing	Manual address setting	
Protection	Indoor	
Operating Temperature	-20°C ~ 50°C (-4°F ~ 122°F)	
Storage Temperature	-30°C ~ 80°C (-22°F ~ 176°F)	

## SYSTEM SPECIFICATIONS

Main Input Cable	Max. 20m (AWG18 x 3C)	from SMPS
	Max. 20 nodes per string (100mm pitch)	
Maximum Connection	Max. 14 nodes per string (1,000mm pitch)	
	Max. 10 nodes per string (2,000mm pitch)	

## TECHNICAL DRAWING

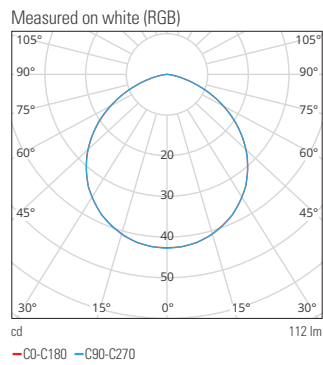


## PHOTOMETRICS

GD-05CFI  
(RGB\_Clear Flat\_Indoor\_110D)

Color	White	Red	Green	Blue
Lumens	112	33	70	17

### Polar LDC



### Illuminance at distance

Measured on white (RGB)

Distance [m]	Cone Diameter [m]	Illuminance [lx]
2.0	5.5	E(0°) 11
	5.5	E(C90) 53.9° 1.1
	5.5	E(C0) 53.8° 1.1
4.0	11	E(0°) 2.7
	11	E(C90) 53.9° 0.27
	11	E(C0) 53.8° 0.28
6.0	16	E(0°) 1.2
	16	E(C90) 53.9° 0.12
	16	E(C0) 53.8° 0.12
8.0	22	E(0°) 0.67
	22	E(C90) 53.9° 0.07
	22	E(C0) 53.8° 0.07
10	27	E(0°) 0.43
	27	E(C90) 53.9° 0.04
	27	E(C0) 53.8° 0.04

Distance [m] Cone Diameter [m] Illuminance [lx]  
- CO-C180 (Beam Angle: 107.6°) - C90-C270 (Beam Angle: 107.8°)

## SYSTEM BLOCK DIAGRAM

