



# D1S



- Flexible pixel pitch ranging from 50 up to 1,200mm
- Various lens cover : flat and dome type, clear and diffuser type
- Various installation methods on irregular architectural surface



Madagascar Live at Everland Resort  
Entertainment Events  
Jul. 2012. Korea

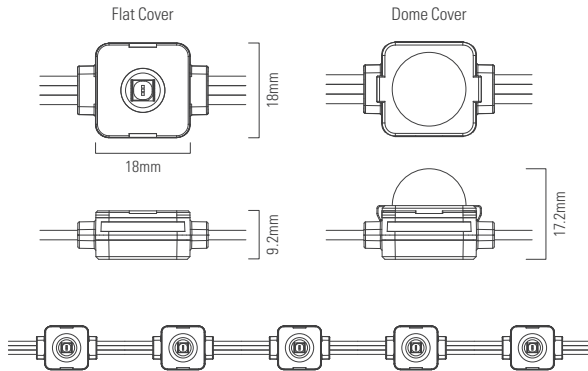
## PRODUCT SPECIFICATIONS

LED Source	3 in 1 Full Color SMD LED	
Size (W×D×H)	18mm x 18mm x 9.2mm   18mm x 18mm x 17.2mm	Flat Cover   Dome Cover
Material	Polycarbonate	
Weight	9.5g (0.02lbs)	with In/Out cable 200mm
Power Consumption	Max. 0.5W	1 Node
Brightness	5.5 lm, 2 cd	1 Node, Clear Flat Cover
Pixel Pitch	50mm ~ 1,200mm	
Beam Angle	110°	Flat Cover
Color Process	3 x 12 bit (Gamma Correction)	
Control	Artnet, DMX, Video Control	
Operating Voltage	12V DC	
Addressing	Auto/Manual Addressing Setting	
Protection	IP66	
Operating Temperature	-20°C ~ 50°C (-4°F ~ 122°F)	
Storage Temperature	-30°C ~ 80°C (-22°F ~ 176°F)	
Option	Flat Cover (Clear / Diffuser), Dome Cover (Clear / Diffuser)	
Certification	CE, EN62471	

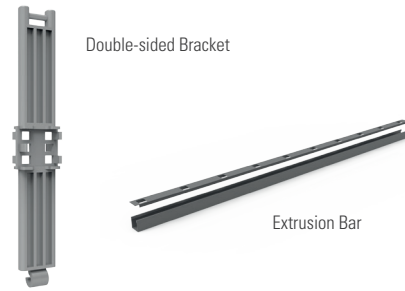
## SYSTEM SPECIFICATIONS

Main Input Cable	20m (AWG18 x 4C), 20-50m (AWG22 x 6C)	
Maximum Connection	Max. 100 Nodes	85 - 200mm pixel pitch

## TECHNICAL DRAWING



## ACCESSORY



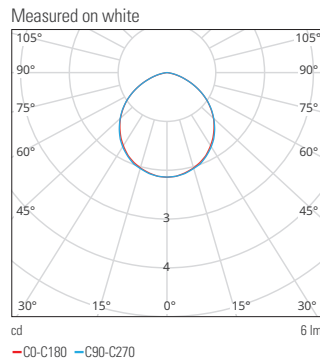
※ Accessories appeared on product image are optional and are not included on basic model.

## PHOTOMETRICS

GS-01SFO  
(D1S\_RGB\_Clear Flat\_110D\_0.5W)

Color	White	Red	Green	Blue
Lumens	5.5	1.38	3.8	0.69

### Polar LDC



### Illuminance at distance

Measured on white (RGB)

Distance [m]	Cone Diameter [m]	Illuminance [lx]	E(0°)	E(C90)	E(C0)
0.20	0.54	54	53.3°	5.7	5.8
	0.53	5.7	53.1°	5.8	
	0.53	5.8			
0.40	1.1	13	53.3°	1.4	1.5
	1.1	1.4	53.1°	1.5	
	1.1	1.5			
0.60	1.6	6.0	53.3°	0.64	0.65
	1.6	0.64	53.1°	0.65	
	1.6	0.65			
0.80	2.1	3.3	53.3°	0.36	0.36
	2.1	0.36	53.1°	0.36	
	2.1	0.36			
1.0	2.7	2.1	53.3°	0.23	0.23
	2.7	0.23	53.1°	0.23	
	2.7	0.23			

Distance [m] Cone Diameter [m] Illuminance [lx]

— C0-C180 (Beam Angle: 106.2°) — C90-C270 (Beam Angle: 106.6°)

## SYSTEM BLOCK DIAGRAM

